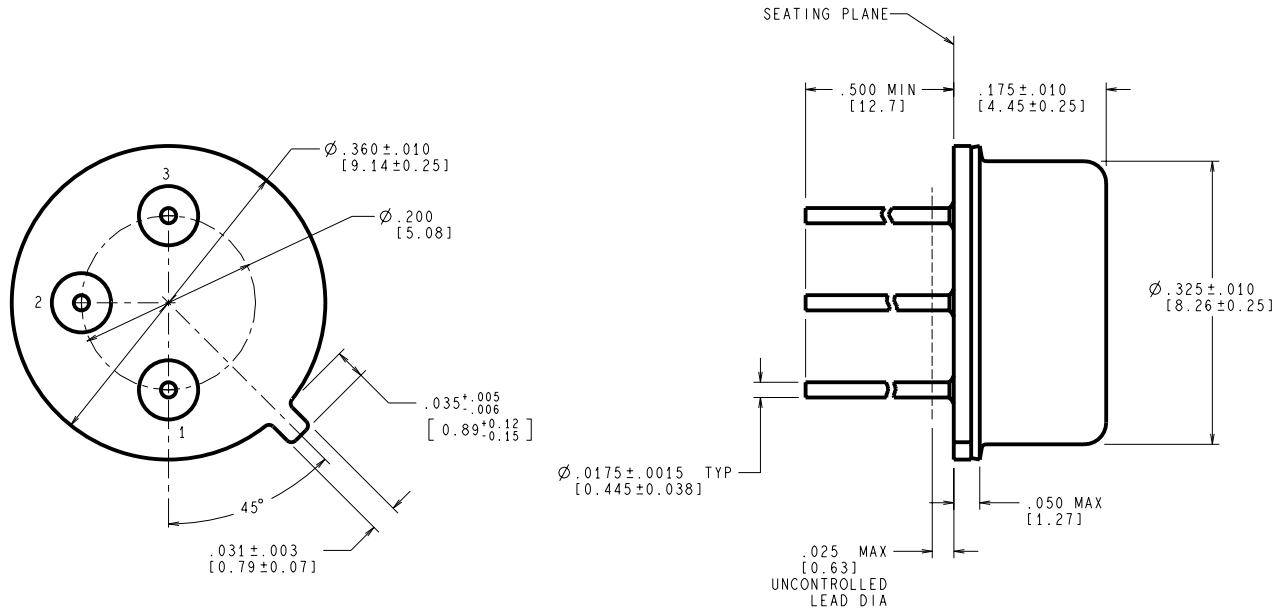


REVISIONS				
LTR	DESCRIPTION	E.C.N.	DATE	BY/APP'D
C	REVISE & REDRAW PER NEW STANDARD	10403	05/24/94	TL/GM
D	UPDATE MILAERO STAMP; Ø.325 WAS Ø.326; REVISE TOLERANCES	10798	02/28/95	TL/



CONTROLLING DIMENSION IS INCH  
VALUES IN [ ] ARE MILLIMETERS

NOTES: UNLESS OTHERWISE SPECIFIED

- LEADS TO BE LOCATED WITHIN .010 IN/ 0.25 mm OF THEIR TRUE POSITIONS RELATIVE TO A MAXIMUM WIDTH TAB.
- STANDARD METAL CAN TYPE: SOLID BASE, KOVAR.
- APPLIES TO MIL-AERO AND LINEAR PRODUCTS.
- REFERENCE JEDEC REGISTRATION TO-39, JEDEC PUBLICATION No. 95.

MIL-I-38535  
CONFIGURATION CONTROL

APPROVALS	DATE	National Semiconductor		
DRWN T LEQUANG	05/24/94	2900 Semiconductor dr. Santa Clara, CA 95052-8090		
DFTG. CHK.		METAL CAN, TO-39, 3 LEAD, .200 DIA P.C.		
ENGR. CHK.				
PROJECTION		SCALE	SIZE	DRAWING NUMBER
INCH [MM]		N/A	C	MKT-H03A
		DO NOT SCALE DRAWING		REV D
		SHEET 1 of 1		