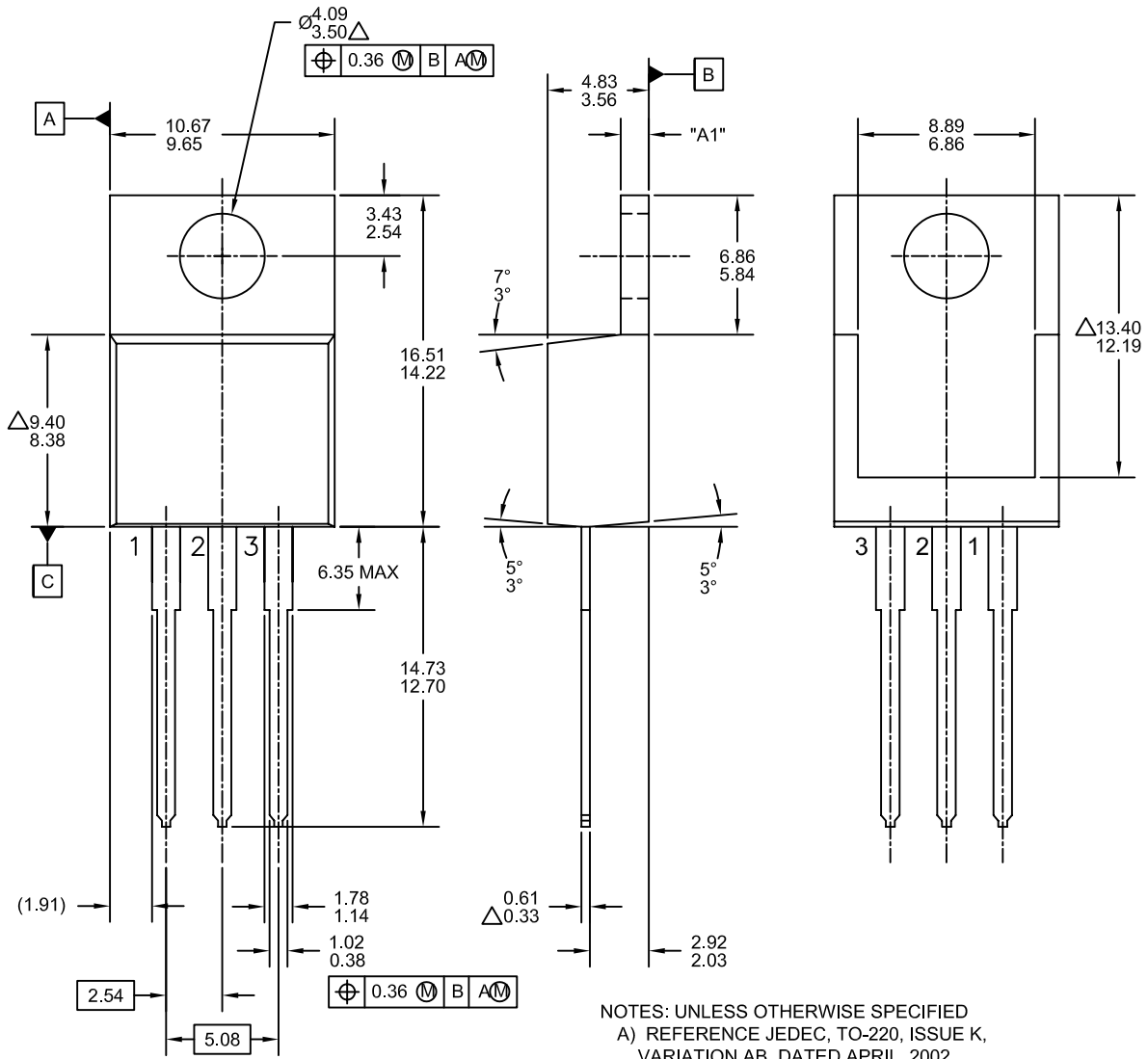


THIS DRAWING IS THE PROPERTY OF FAIRCHILD SEMICONDUCTOR CORPORATION. NO USE THEREOF SHALL BE MADE OTHER THAN AS A REFERENCE FOR PROPOSALS AS SUBMITTED TO FAIRCHILD SEMICONDUCTOR CORPORATION FOR AIDS TO BE EXECUTED IN CONFORMITY WITH SUCH PROPOSALS UNLESS THE CONSENT OF SAID FAIRCHILD SEMICONDUCTOR CORPORATION HAS PREVIOUSLY BEEN OBTAINED. NO PART OF THIS DRAWING SHALL BE COPIED OR DUPLICATED OR ITS CONTENTS DISCLOSED. THE INFORMATION CONTAINED ON THIS DRAWING IS CONFIDENTIAL AND PROPRIETARY.

REVISIONS				
LTR	DESCRIPTION	E.C.N.	DATE	BY/APP'D
A	RELEASE TO DOCUMENT CONTROL	05822	NOV.11.91	TJFO
B	RDRW AS PER NEW DWG TEMPLATE: CHG DIM STYLE FROM DUAL DIM INCH(MM) TO SINGLE DIM MM; CHG SLOT DIA FR 3.53-4.09 TO 3.54-4.08; CHG STANDOFF HEIGHT FR 6.35 MAX TO 3.63-4.33; ADD (1.91) DIMENSION; ADD 3°, 5°, 7° DRAFT ANGLE; CHG LD THICK FR 0.36-0.56 TO 0.36-0.60; REMOVE "O/LIN 184" ON NOTE A; CHG NOTE 2 TO NOTE B; ADD NOTE C&D; CHG DWG TITLE FR "TO-220, MOLDED, 3 LEAD, STRAIGHT, JEDEC" TO "TO-220, MOLDED, 3 LEAD, JEDEC VARIATION AB"; CHG DWG NO. FR MKT-TA03D TO MKT-TO220B03.	CB/084/99	10NOV1999	MRG
C	CHG LD PITCH DIM FR $\frac{2.20}{0.005}$ TO 2.54 BSC, FR $\frac{0.015}{0.005}$ TO 5.08 BSC; ADD PKG LENGTH DIM; ADD BACK METAL HEATSINK DIMS; REM EJECTOR PIN MARK; ADD NOTE E; CHG HOLE DIM FR $\frac{0.25}{0.005}$ TO $\frac{0.25}{0.005}$ ; ADD HOLE POS TOL; ADD LD POS TOL; CHG LD THICK FR $\frac{0.60}{0.005}$ TO $\frac{0.60}{0.005}$ ; CHG STAND OFF DIM FR $\frac{0.60}{0.005}$ TO 6.35 MAX	CB/266/04	21OCT2004	RCM
D	CHG HEATSINK DIM FR $\frac{12.88}{0.019}$ TO $\frac{13.40}{0.019}$ ; CHG DRAFT ANGLE FR 3 TO 5 DEG. REMOVED NOTE A; STANDARD LEAD FINISH: 200 uin /5.08 um MIN. LEAD/TIN 15/85 ON COPPER.	CB/037/05	10MAR2005	MRG
5	CHG PKG DRAFT ANGLE FR 5° TO 3° -5°; CHG UPPER DRAFT ANGLE FR 7° TO 3° -7°; ADD NOTE E	CB/160/07	20JUL2007	MRG
6	REMOVE SITE ADDRESS ADDED NOTE "E" & "F"		28MAR2008	SDL/ESSZ



- NOTES: UNLESS OTHERWISE SPECIFIED
- A) REFERENCE JEDEC, TO-220, ISSUE K, VARIATION AB, DATED APRIL, 2002.
  - B) ALL DIMENSIONS ARE IN MILLIMETERS.
  - C) DIMENSIONING AND TOLERANCING PER ANSI Y14.5 - 1973
  - D) LOCATION OF THE PIN HOLE MAY VARY (LOWER LEFT CORNER, LOWER CENTER AND CENTER OF THE PACKAGE)
  - E)  $\Delta$  DOES NOT COMPLY JEDEC STANDARD VALUE.
  - F) "A1" DIMENSIONS REPRESENT LIKE BELOW:  
SINGLE GAUGE = 0.51 - 0.61  
DUAL GAUGE = 1.14 - 1.40
  - G) DRAWING FILE NAME: TO220B03REV6

APPROVALS	DATE	
DRAWN: BOBOY MALDO	28MAR2008	
CHECKED: FRED REN		
APPROVED: SD LEE		
HOWARD ALLEN		<b>TO-220, MOLDED, 3 LEAD, JEDEC VARIATION AB</b>
		SCALE: 1:1 SIZE: N/A FORMERLY: N/A
		DRAWING NUMBER: MKT-TO220B03 REV: 6 SHEET: 1 OF 1